



广州能森环保科技有限公司

HINADA WATERTREATMENT TECH CO., LTD

## RO SYSTEM

*Reverse osmosis (RO) system*

15 Cu. M/H Seawater RO Plant Specification and Quotation



**Customized RO System according to your requirement**

RO Plant	Output water	FOB Price(USD/Set)	Notice
NM-SWRO-15 m3/H	300m3/day	\$230769 /set	

Contact person: Jeff Ouyang  
Tel: 86-20-82350103  
E-mail: [jeff@gzhina.com](mailto:jeff@gzhina.com)

Mobile: 86-13922297496  
FAX: 86-20-82350103  
Website: [www.hinada.com](http://www.hinada.com)



Main parts and function

300Cu.M/D Seawater Desalination Plant (MMF+UF+RO)						
S.N	Process	Equipment	Specification	Unit	QTY	Remarks
1	Water Intake	Seawater Booster Pump	Q : 36m <sup>3</sup> /h H: 47m N:7.5KW Grundfos brand pump	Set	2	1 work 1 standby
2		Pressure Gauge	0—1MPa, stainless, Hydraulic oil	set	2	
3		Butterfly Valve	DN65 PN1.0, Carbon steel nylon lining	set	4	
4		Raw Water Tank	Dimension: 5m*8m*4m, Concrete tank	set	1	Buyer provider
5	Sand Filter	Seawater Booster Pump	Q : 36m <sup>3</sup> /h H: 47m N:7.5KW Grundfos brand pump	set	1	
6		Pressure Gauge	0—1MPa, stainless, Hydraulic oil	set	2	
7		Butterfly Valve	DN65 PN1.0, Carbon steel nylon lining	set	4	
8		Sand Filter	FRP Tank: 900*2000mm Capacity : 40m <sup>3</sup> /h	Set	2	
9		Silicon Sand	1-2mm	m <sup>3</sup>	5	
10		E-valve Inlet control	DN65 PN1.0, Carbon steel nylon lining	pcs	4	
11		E-valve Permeate Control	DN65 PN1.0, Carbon steel nylon lining	pcs	4	
12		E-valve backwash	DN65 PN1.0, Carbon steel nylon lining	pcs	4	
13		Pressure Gauge	0—1MPa, stainless, Hydraulic oil	set	4	
14	UF Plant	Precision Filter	6"*40", FRP,300PSI	Set	1	
15		Butterfly valve	DN65 PN1.0, Carbon steel nylon lining	pcs	2	
16		Pressure Gauge	0—1MPa, stainless, Hydraulic oil	set	2	
17		UF Membrane	NM-UF-200	set	24	
18		Frame Skid	Stainless	set	2	
19		E-valve Inlet control	DN65 PN1.0, Carbon steel nylon lining	pcs	4	
20		E-valve Permeate Control	DN65 PN1.0, Carbon steel nylon lining	pcs	4	
21		E-valve backwash	DN65 PN1.0, Carbon steel nylon lining	pcs	4	
22		Pressure Gauge	0—1MPa, stainless, Hydraulic oil	set	6	
23		Flow Meter	1-20m <sup>3</sup> /h	set	1	
24		Flow Meter	1.6-16m <sup>3</sup> /h	set	1	



25		Mid Water Tank	Dimension: 5m*8m*4m, Concrete tank	set	1	Provide by buyer
26		Water Level Detector	4-20mA	Set	1	
27		Feed water pump/Backwash Pump	Q : 20m <sup>3</sup> /h H : 10m N:4.5KW	set	1	
28	Dosing System	Flocculant System	PE Tank : 500L	pc	1	
29			Dosing Pump : P066,7.6 L/H 3.5bar	set	1	Milton
30			Water Level detector	set	1	
31		Sodium Hypochlorite system	PE Tank : 500L	pc	1	
32			Dosing Pump : P066,7.6 L/H 3.5bar	set	1	Milton
33			Water Level detector	set	1	
34		Anti-sludge System	PE Tank : 500L	pc	1	
35			Dosing Pump : P066,7.6 L/H 3.5bar	set	1	Milton
36			Water Level detector	set	1	
37		PH Adjust System	PE Tank : 500L	pc	1	
38			Dosing Pump : P066,7.6 L/H 3.5bar	set	1	Milton
39			Water Level detector	set	1	
40	5μm Precision Filter	Precision filter	6"*40", FRP,300PSI	set	1	
41		PP Filter	6"*40"*5μm,PP	pcs	3	
42		Butterfly valve	DN100, Carbon steel nylon lining	pc	2	
43		Low pressure gauge	0— 1MPa, stainless, Hydraulic oil	pcs	2	
44	1μm Precision filter	Precision filter	6"*40", FRP,300PSI	set	1	
45		PP Filter	6"*40"*1μm,PP	pcs	3	
46		Butterfly valve	DN100, Carbon steel nylon lining	pc	2	
47		Low pressure gauge	0— 1MPa, stainless, Hydraulic oil	pcs	2	
48	RO System	High pressure pump	APP38 60bar 75KW	set	1	Danfoss
49		frequency transformer	75KW	SET	1	ABB
50		Low pressure switch	0-3bar	set	1	
51		High pressure switch	0-70bar	set	1	
52		Energic recovery system		set	1	Danfoss
53		Frequency transformer	11KW	set	1	ABB



广州能森环保科技有限公司

HINADA WATERTREATMENT TECH CO., LTD

54		One way valve	3" 2205 stainless	pc	1	
55		RO Membrane	SW30-HRLE400	pcs	30	DOW BRAND
56		RO Housing	8040-6,1000PSI	pcs	5	
57		Frame Skid	Stainless	set	1	
58		Pressure sensor	A-10 4-20mA G1/4B 0.5%, 0-70bar	set	3	
59		Manual butterfly valve	DN65, PN1.6MPa	pc	4	
60		E-valve	DN65 PN1.6MPa	pc	2	
61		Flow meter	0-60m <sup>3</sup> /h	set	1	
62		High pressure gauge	0—10Mpa , stainless, Hydraulic oil	pc	2	
63		Low pressure gauge	0—0.6Mpa , stainless, Hydraulic oil	pc	1	
64		Conductivity meter	3-2821 electrode , 9900 transmitter	pcs	2	
65		Permeate flow meter	18-120m <sup>3</sup> /h , UPVC	pc	1	
66		Discharge flow meter	20-200m <sup>3</sup> /h , UPVC	pc	1	
67		Water Level detector	4-20mA Output	set	2	
68		Discharge water tank	Volume : 100m <sup>3</sup> , Concrete tank	set	1	Provide by buyer
69		Clean water tank	Volume : 100m <sup>3</sup> , Concrete tank	set	1	Provide by buyer
70	CIP System	Dosing tank	Material: PE , Volume : 10m <sup>3</sup>	set	1	
71		Water Level detector	4-20mA Output	pc	1	
72		Pump( Clean purpose)	Q : 50m <sup>3</sup> /h H : 30m N : 7.5KW 304SS	set	1	
73		Precision filter	φ700x1200 ,316SS ,5μm*7 ,210m <sup>3</sup> /h	set	1	
74		PP filter	φ150*40*5μm	pcs	7	
75		Butterfly valve	DN65	set	2	
76		Low pressure gauge	0—1Mpa , stainless, Hydraulic oil	set	2	
77	Pipe Line	Pipes	Low pressure: UPVC , High pressure: 2205 dual phase steel	set	1	
78	Control System	PLC Control System	LCD Screen+ PLC+ Touch Screen+ Schneider Parts	set	1	

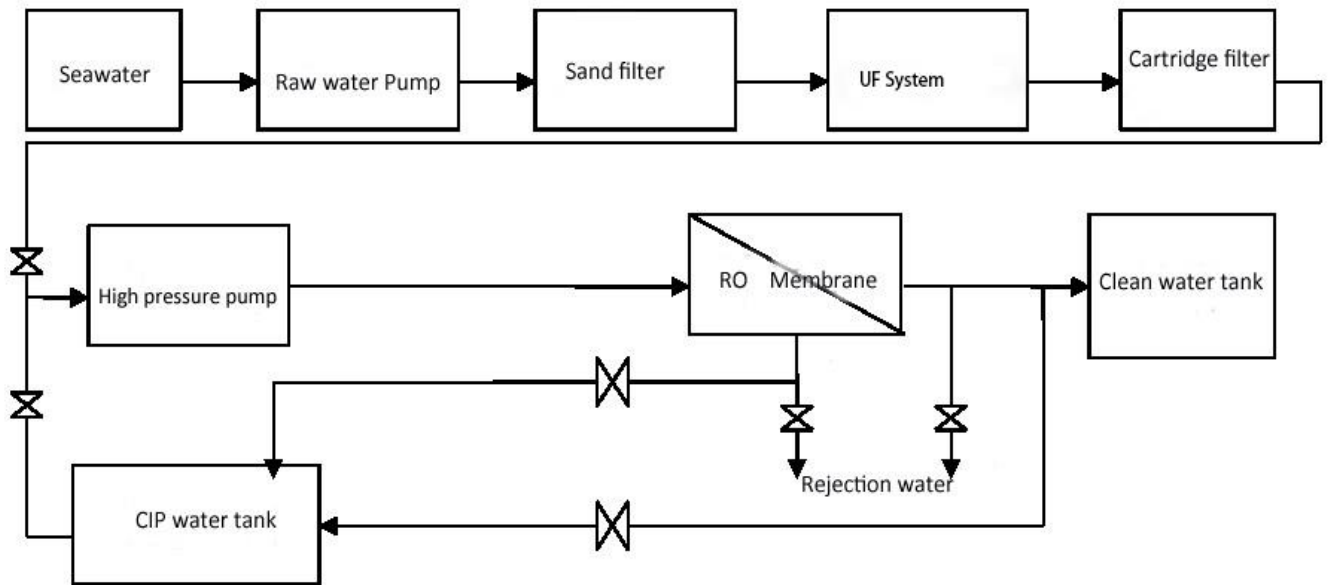
Contact person: Jeff Ouyang  
Tel: 86-20-82350103  
E-mail: jeff@gzhina.com

Mobile: 86-13922297496  
FAX: 86-20-82350103  
Website: [www.hinada.com](http://www.hinada.com)



Total Amount :	\$ 230769.00
----------------	--------------

Seawater Treatment Processing Chart



Parts 1: Consumable Materials Price List

NO.	ITEM	Replacement Frequency	Price
1	Pure water silica sand	2-3 years	0.15USD/Kgs
2	PP filter cartridge 40" 5um	20-40 days	3.6USD/PC
3	RO Membrane 8040	2-3 years	925 USD/PC
4	Antiscalant agent	6-10months/Barrel	150USD/25kgs
5	UF Membrane	2---3 Years	300 USD/Unit





广州能森环保科技有限公司

HINADA WATERTREATMENT TECH CO., LTD

Silica Sand

Antiscalant agent

PP Filter



SW-400



High Pressure Pump

**The document we will offer with the Reverse osmosis Plant including:**

1. Installation instruction
2. Operation instruction
3. Flow Chart
4. Parts and tool Packing list
5. Inspection report
6. Structure drawing and Dimension drawing

**Hinada** is a professional manufacturer of water treatment equipment and Membranes; we have a professional and skilled water treatment engineer's team for years experience, we always do our best to offer quality service and products and promptly response.

**"Whatever your mind can conceive and believe it can achieve."-Napoleon**

Contact person: Jeff Ouyang  
Tel: 86-20-82350103  
E-mail: [jeff@gzhina.com](mailto:jeff@gzhina.com)

Mobile: 86-13922297496  
FAX: 86-20-82350103  
Website: [www.hinada.com](http://www.hinada.com)



广州能森环保科技有限公司

HINADA WATERTREATMENT TECH CO., LTD



Contact person: Jeff Ouyang  
Tel: 86-20-82350103  
E-mail: [jeff@gzhina.com](mailto:jeff@gzhina.com)

Mobile: 86-13922297496  
FAX: 86-20-82350103  
Website: [www.hinada.com](http://www.hinada.com)



## PLC Control Cabinet

(1) A control cabinet will be provided. All of the equipments shall be control by the cabinet as a package.

The control cabinet specification as below sheet:

S.N	Item	Specification
1	PLC Control Cabinet	Carbon Steel, Dimension: 800x600x2200mm
2	Touch LED Screen	10"
3	PLC Brand	Siemens
4	Electric Parts	Schneider
5	Ethernet	industrial Ethernet (TCP/IP) protocol

(2) The cabinet can be communication with control center by the industrial Ethernet (TCP/IP) protocol and through optical cables. The operating status and trouble signal shall be transfer to control center and the control cabinet can receive the remote control signal (start/stop unit) from the control center.

(3) The cable between the equipment and the cabinets will be provided

(4) Manual/automatic change-over switch will be provided on control cabinet.

- 1) In manual status, the treatment package can be started / stopped onsite through the cabinets by manual;
- 2) In automatic status, treatment package can be started / stopped automatically or by remote control in the control center.

The quantity of the I/O of the control cabinet will have 20% allowance.

### Business Term:

1. **Payment Term:** 40% T/T in advance (Provider will offer Trade Assurance from Alibaba.com), 50% T/T balance before shipment, 5% after installation, commission and training, and 5% after 1 year guarantee.
2. **Delivery Term:** 42 days after confirmed buyer's deposit
3. **Installation:**
  - Buyer arrange 1 or 2 manager who responsibility this project, that the seller can report for any requirements. And 3 extra local labor workers help seller's engineer installation.
  - The buyer responsibility the equipments local customs clearance, shipping to the on-site of project.
  - The buyer offer free crane which for installation requirement.
  - Seller will arrange 2 technical persons for on-site installation, commissioning & training. Time planning as below:  
Installation: 20---30 days  
Commissioning: around 10 days  
Operation training: 2 days
  - And the buyer should be responsible the seller's engineers safety, food and living.
  - Providing the Invitation Letter for seller get the visa. And arrange someone the pick-up and see Engineer





广州能森环保科技有限公司

HINADA WATERTREATMENT TECH CO., LTD

off in the airport.

**4. Warranty:**

- The seller will offer 1 years warranty, if any equipments or key parts (Value > ¥1000 ) has problem , the seller will offer free parts or send their engineer to handle it ,and the cost under the seller account . (The problem no including spoilt by wrong operation, or purposely spoilt or force majeure).

The seller will offer 1 year spare parts according the project requirement.